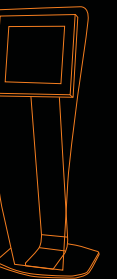


# Vougue Kiosk



mail: [info@pointkiosk.si](mailto:info@pointkiosk.si) . tel.: +386 (0)5 3305 771 . fax.: +386 (0)5 3305 495



# Vougue

The materials revolution

## Technical Specifications Vougue Model

Dimensions: H1450 x W650 x D500

Acrylic deep: 20

Weight: aprox. 40 Kg.

The Vougue model was developed for indoors use to work as stand up kiosk.

The new Vougue model results from a combination of the great aesthetic acrylic and stainless steel or lacquered. This model was designed for use indoors.

This model is practically made in a 20 mm Acrylic giving it an aesthetic and innovative design.

This model is normally equipped with a 17" SXGA touchscreen display (SAW)

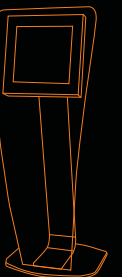
The area where the PC will be installed has security locks, general switch and is easily detachable, leaving enough space for the installation and access to a minitower PC.

Besides the acrylic the Vougue Kiosk is manufactured in stainless steel or painted steel (available in all RAL colors) using steel plate of 1,5mm to 2,5mm and can have speakers if the sound is necessary for the case.

The Vougue Model is normally equipped with a Atom CPU with a 160 GB hard drive, 1 Gb Ram Memory, a 128Mb graphic card and a 10/100 mb ethernet, Windows 7 Starter.

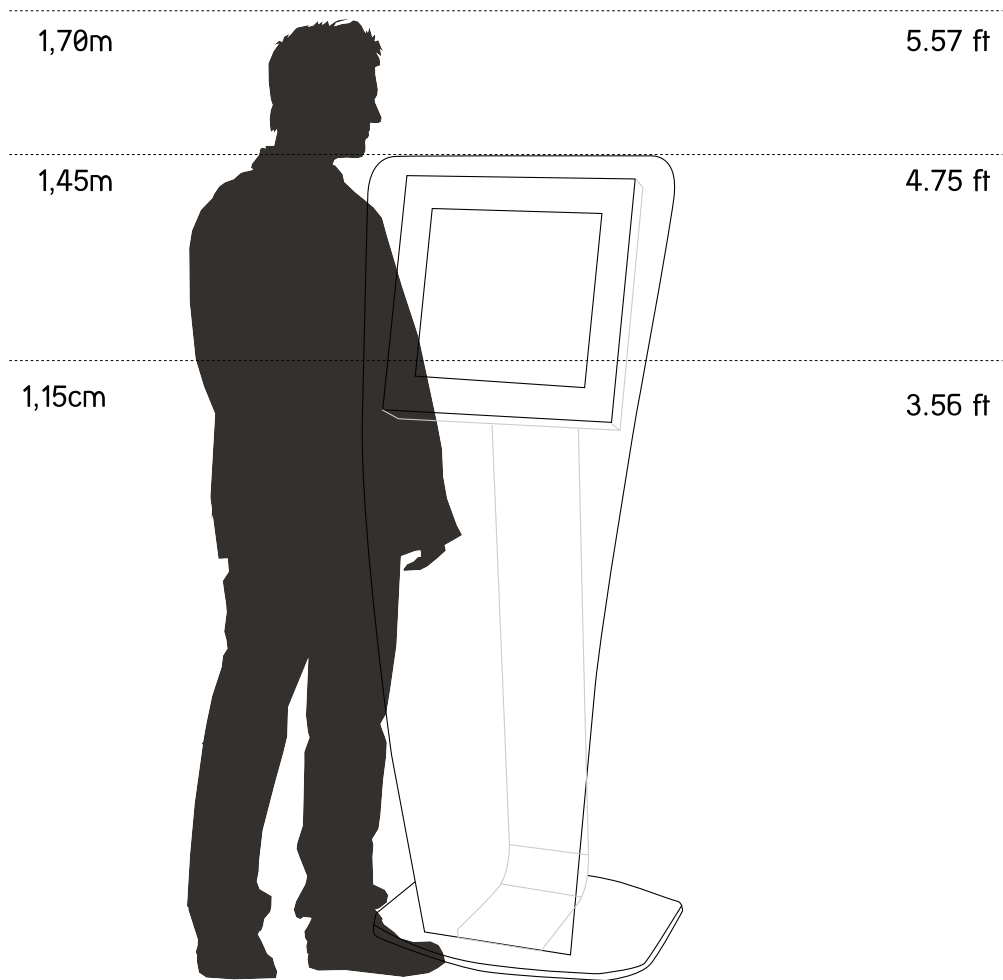


Vougue  
The Materials Revolution



# Vougue

Distance comparison and main features



## Type

Indoor

## Materials

Painted Steel

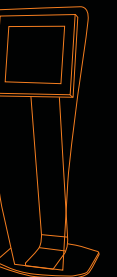
Stainless Steel

## Options

Webcam

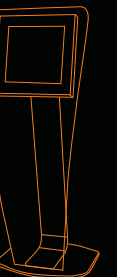
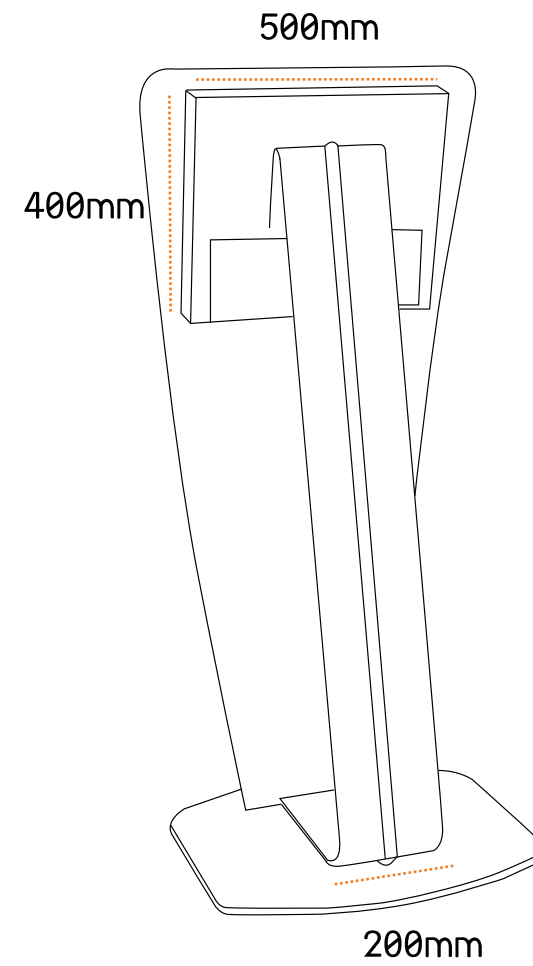
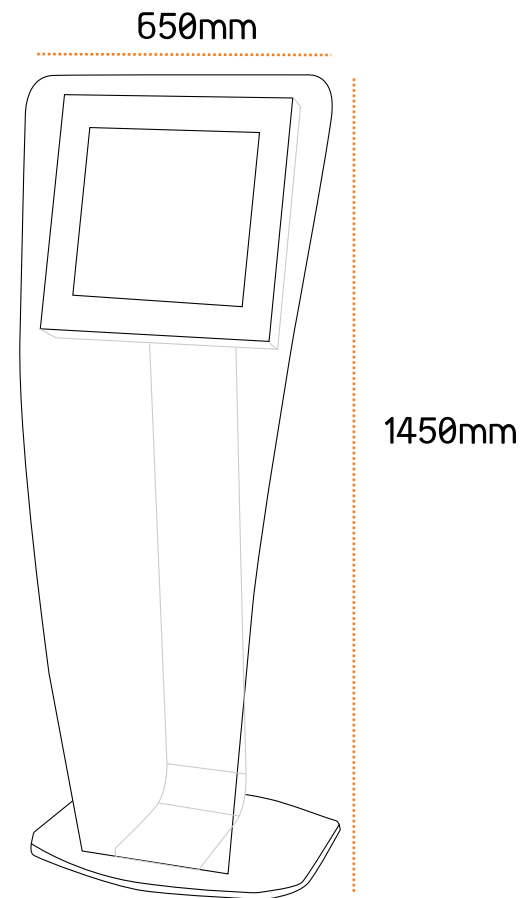
Ykiosk Software

Vougue  
Distance comparison and main features



# Vougue

Kiosk measures



# Vougue

Technical data

---

## Dimensions:

- 17" Display (resolution: 1280 x 1024 Pixel)
- H1450 W650 D500
- Acrylic deep: 20mm

## Weight:

40 kg

## Configuration:

- The Materials Revolution
- Stainless steel AISI304 or painted steel (RAL Colors)
- Steel plate of 1,5mm to 2,5mm
- Acrylic 20mm
- 17" SXGA touchscreen display (SAW)
- Integrated speakers

## Optional:

- 19" to 24" Displays
- Atom or Dual Core PC computer
- Microsoft Windows 7 Professional
- Ykiosk software package
- Antivandalic Keyboard
- Touchscreen (Infrared, optical, capacitive)
- Wireless networking - WLAN
- Bluetooth functionality
- Webcam

• Other components can be integrated changing kiosk dimensions: ticket printer, coin validator, bill validator, card readers, antivandalic keyboard, proximity sensor, etc.





info@pointkiosk.si . tel.: +386 (0)5 3305 771 . fax.: +386 (0)5 3305 495

COBIT d.o.o., Industrijska cesta 5, Kromberk - p.p.235 -5001 Nova Gorica