

NetW Kiosk



mail: info@pointkiosk.si . tel.: +386 (0)5 3305 771 . fax.: +386 (0)5 3305 495



NetW

The internet access point

Internet Access Points NetW17 / NetW19 were specifically designed for indoor use, especially in Internet Access Centers. (Cybercafes, Lan Houses)

Both models 17 or 19 models have the same characteristics and dimensions, and the only difference among them is the size of the monitor, 17" or 19".

These models are manufactured in Mahogany, with Varnish finishing and with a tubular support that ensures the rigidity and support of the whole kiosk.

The area where the computer is installed and possible peripherals (card readers, coin acceptors, etc.), is protected with access through a security lock and includes a base with three power plugs. PC will be installed has security locks, general switch and is easily detachable, leaving enough space for the installation and access to a minitower PC.

On the side of the monitor is included two speakers and the kiosk has 2 independent systems of ventilation, one for the monitor and other for the PC.

The NetW 17/19 can be equipped with a Atom CPU with a 160 GB hard drive, 1 Gb Ram Memory, a 128Mb graphic card and a 10/100 mb ethernet, ATX box, multimedia keyboard and optical mouse and TFT- 17" or 19" as the model chosen and Windows 7 Starter. (other opcionals ate available)

Technical Specifications NetW Kiosk

Dimensions: H1000 x W1300 x D600
Weight: aprox. 30 Kg.



NetW



NetW Double

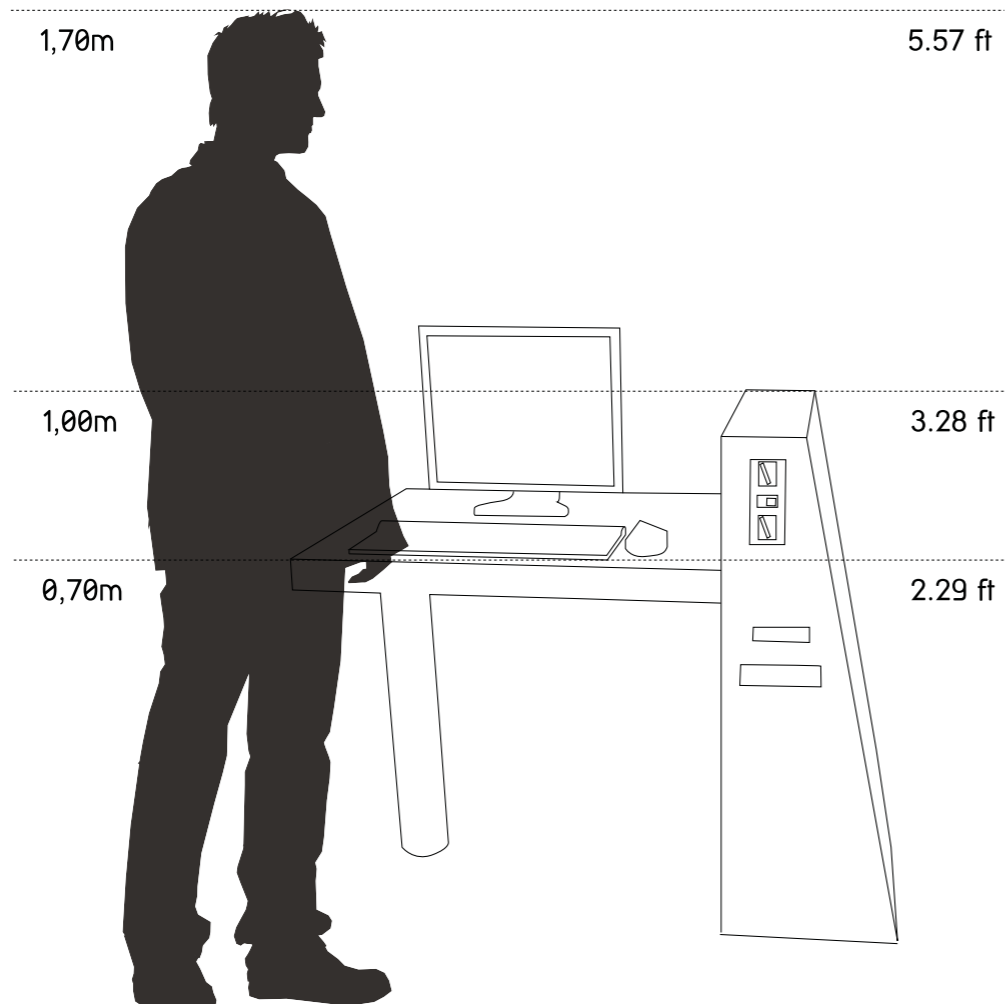


Compatible
Side Use



NetW

Distance comparison and main features



Type

Indoor

Materials

Painted Steel

Stainless Steel

MDF

Options

Webcam

Ticket Printer

Card Reader

Keyboard

Bar Code Scanner

VOIP Phone

Coin Validator

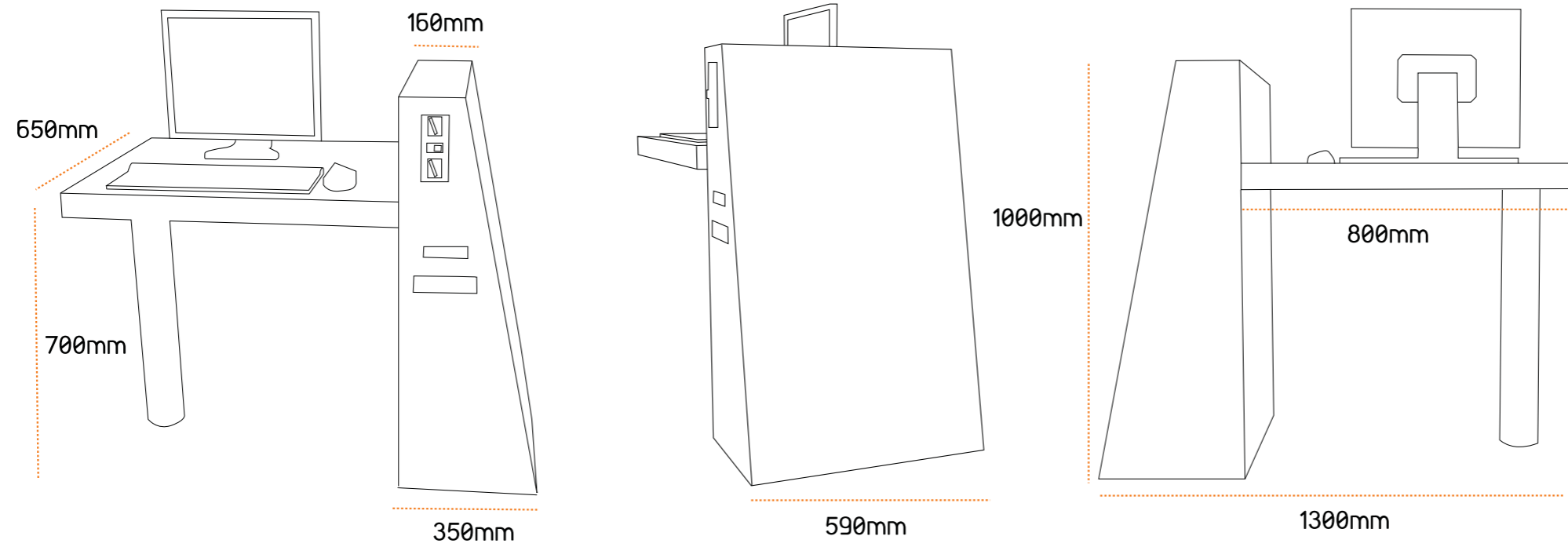
Bill Validator

Ykiosk Software



NetW

Kiosk measures



NetW

Technical data

Dimensions:

- 17" display (resolution: 1280 x 1024 Pixel)
- H1000 W1300 D500

Weight:

30 kg

Configuration:

- The internet access point
- Stainless steel AISI304 or painted steel (RAL Colors)
- Steel plate of 1,5mm to 2,5mm
- 17" display
- Integrated speakers

Optional:

- 19" to 24" Displays
- Atom or Dual Core PC computer
- Microsoft Windows 7 Professional
- Ykiosk software package
- Touch screen (SAW - antivandalism)
- Wireless networking - WLAN
- Bluetooth functionality
- Webcam

• Other components can be integrated changing kiosk dimensions: ticket printer, coin validator, bill validator, card readers, antivandalic keyboard, proximity sensor, etc.





info@pointkiosk.si . tel.: +386 (0)5 3305 771 . fax.: +386 (0)5 3305 495

COBIT d.o.o., Industrijska cesta 5, Kromberk - p.p.235 -5001 Nova Gorica