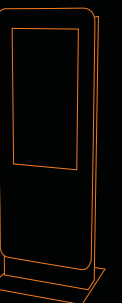


Stylo Kiosk



mail: info@pointkiosk.si . tel.: +386 (0)5 3305 771 . fax.: +386 (0)5 3305 495

Stylo

Interactivity with dimension

Technical Specifications Stylo Kiosk

Dimensions: H1900 x W800 x D200
Weight: aprox. 100 Kg.

The Stylo model was designed specially for outdoor applications.

This model can be manufactured in stainless steel or painted steel (available in all RAL colors) using steel plate of 1,5mm to 2,5mm which ensures the stability and rigidity of the all structure.

This Kiosk is designed specially for multimedia advertising purposes and support large displays (32" to 108").

The area where the PC will be installed has security locks, general switch and is easily detachable, leaving enough space for the installation and access to a minitower PC.

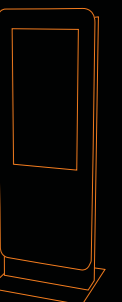
On the side of the monitor are two speakers and the kiosk has 2 independent systems of ventilation, one for the monitor and other for the PC.

The Stylo is normally equipped with a Atom CPU with a 160 GB hard drive, 1 Gb Ram Memory, a 128Mb graphic card and a 10/100 mb ethernet, Windows 7 Starter.

This kiosk can be produced with glass protection (top and 2 laterals) for outdoor environments.

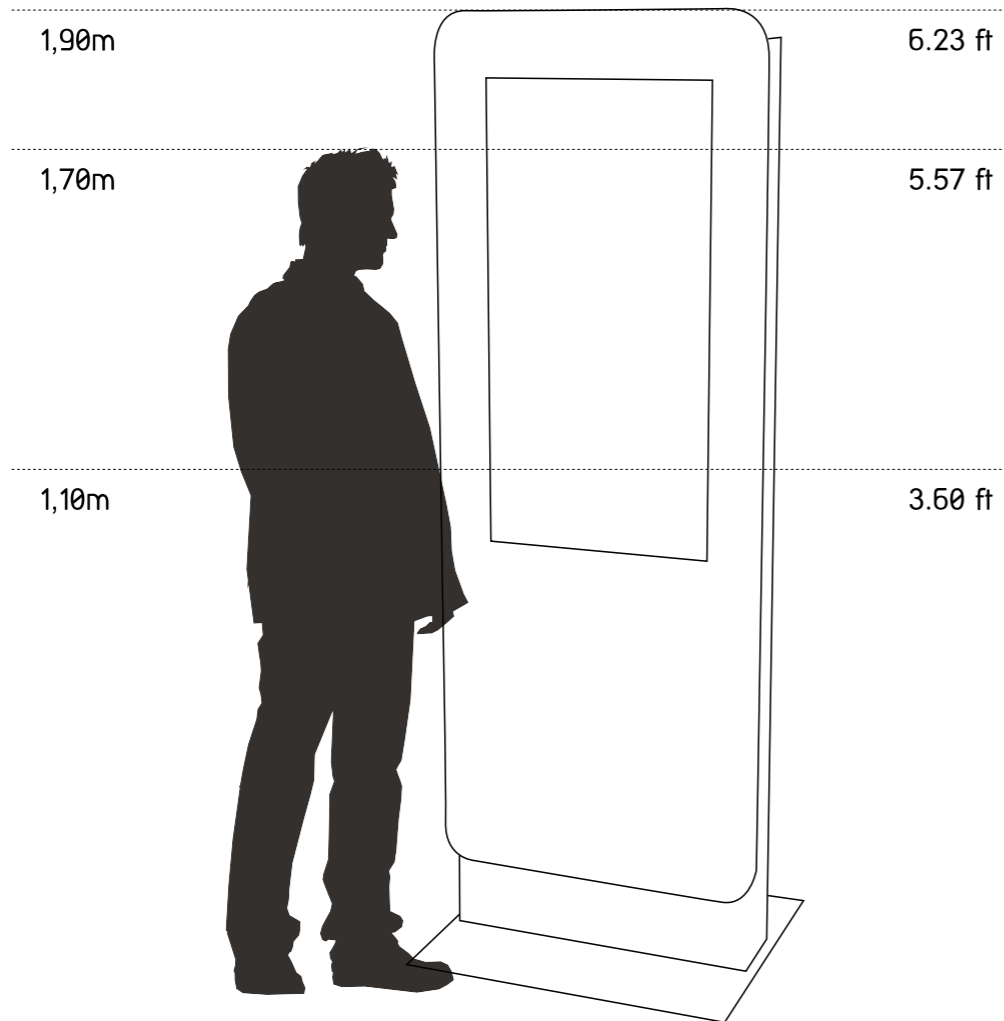


Stylo
Interactivity with dimension



Stylo

Distance comparison and main features



Type

- Indoor / Outdoor

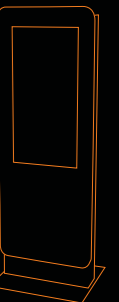
Materials

- Painted Steel
- Stainless Steel

Options

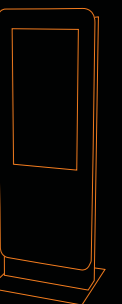
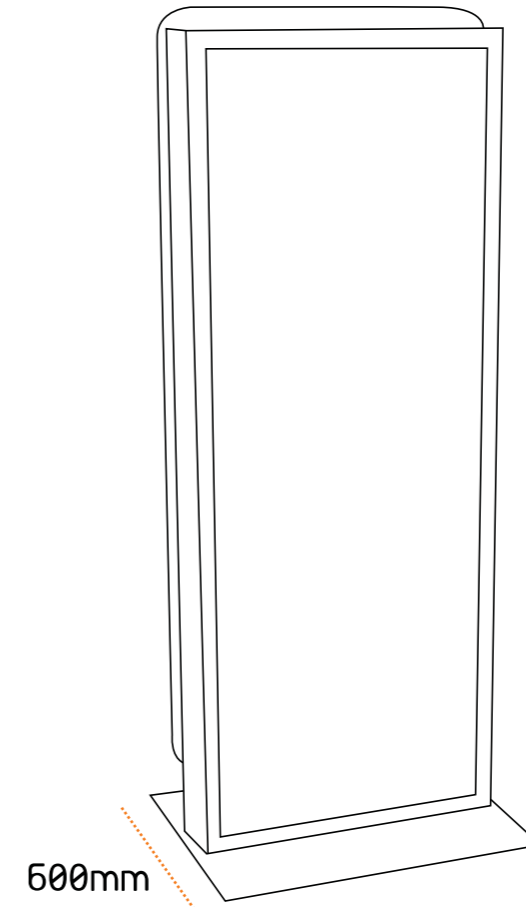
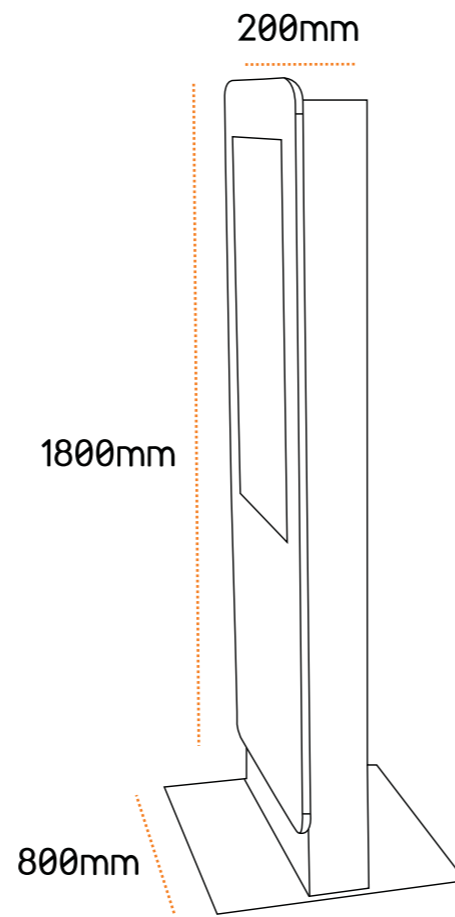
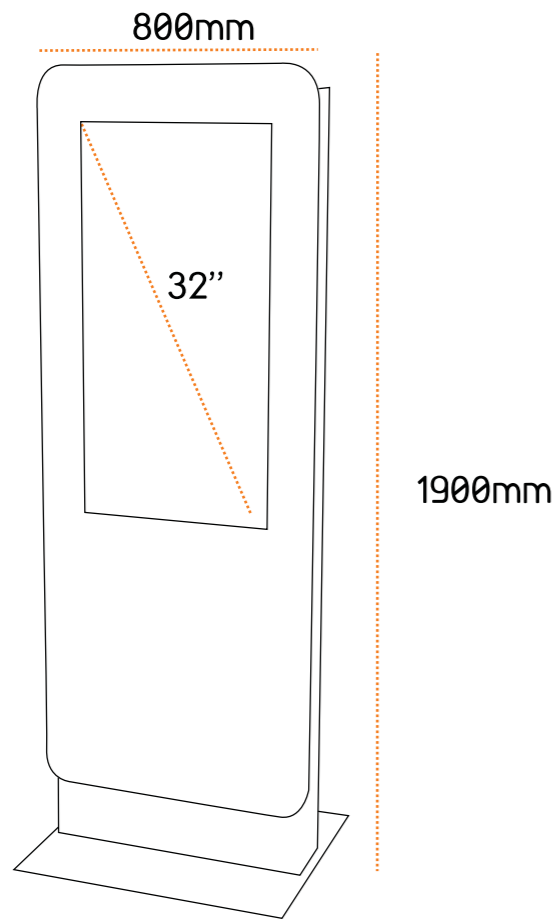
- Large Displays 17" to 103"
- YdSignage Software
- Double Face Displays (Touchscreen or TFT)
- Glass Protection

Stylo
Distance comparison and main features



Stylo

Kiosk measures



Stylo

Technical data

Dimensions:

- 32" Display (resolution: 1920x 1080 Pixel)
- H1900 W800 D200

Weight:

100 kg

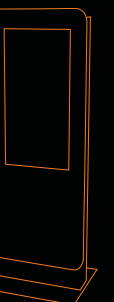
Configuration:

- Interactivity with dimension
- Stainless steel AISI304 or painted steel (RAL Colors)
- Steel plate of 1,5mm to 2,5mm
- 32" display
- Integrated speakers

Optional:

- 32" to 108" displays
- Atom or Dual Core PC computer
- Microsoft Windows 7 Professional
- Ykiosk software package
- Touch screen (SAW - antivandalism)
- Wireless networking - WLAN
- Bluetooth functionality
- Webcam
- 2 side displays

• Other components can be integrated changing kiosk dimensions: ticket printer, coin validator, bill validator, card readers, antivandalic keyboard, proximity sensor, etc.





info@pointkiosk.si . tel.: +386 (0)5 3305 771 . fax.: +386 (0)5 3305 495

COBIT d.o.o., Industrijska cesta 5, Kromberk - p.p.235 -5001 Nova Gorica