

# SlimW Kiosk



mail: [info@pointkiosk.si](mailto:info@pointkiosk.si) . tel.: +386 (0)5 3305 771 . fax.: +386 (0)5 3305 495



# SlimW

High design and functionality

The SlimW model was developed for indoors use to work as stand up kiosk.

This model can be manufactured in stainless steel or painted steel (available in all RAL colors) using steel plate of 1,5mm to 2,5mm which ensures the stability and rigidity of the all structure.

This SlimW model is normally equipped with a tactile monitor and can be delivered with a anti vandalism keyboard with trackball, card reader, webcam, coin acceptor, tickets printer, handset phone and other peripherals. This model can be equipped with a anti vandalic monitor.

The area where the computer is installed and possible peripherals (card readers, coin acceptors, etc.), is protected with access through a security lock and includes three power plugs.

The SlimW Model is normally equipped with a 17" XGA touch display (19", 22" or other sizes are possible).

On the side of the monitor are two speakers and the kiosk has 2 independent systems of ventilation, one for the monitor and other for the PC.

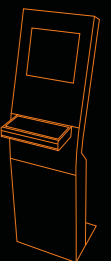
The SlimW Model is normally equipped with a Atom CPU with a 160 GB hard drive, 1 Gb Ram Memory, a 128Mb graphic card and a 10/100 mb ethernet, Windows 7 Starter.

## Technical Specifications SlimW Kiosk

Dimensions: H1500 x W500 x D90,140  
Weight: aprox. 45 Kg.

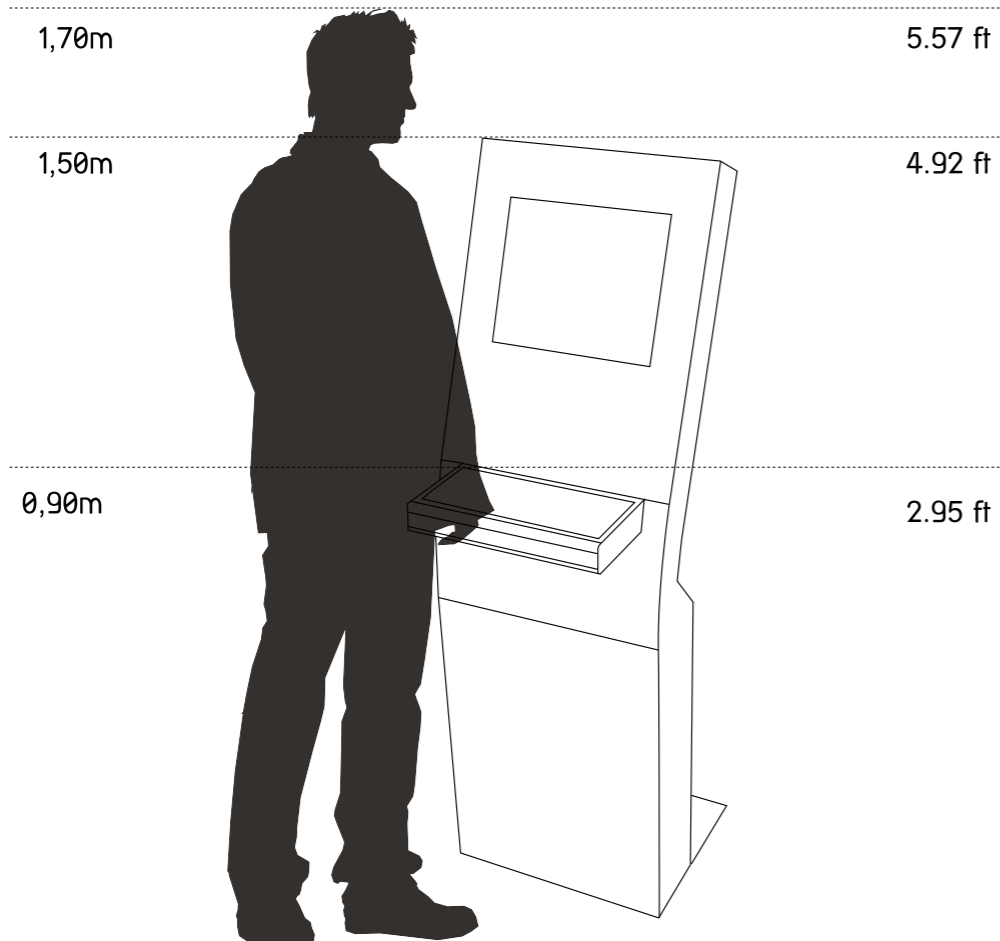


High design and functionality  
**SlimW**



# SlimW

Distance comparison and main features



## Type

Indoor

## Materials

Painted Steel

Stainless Steel

MDF

## Options

Webcam

Ticket Printer

Card Reader

Antivandalic Keyboard

Bar Code Scanner

Handset Phone

Coin Validator

Bill Validator

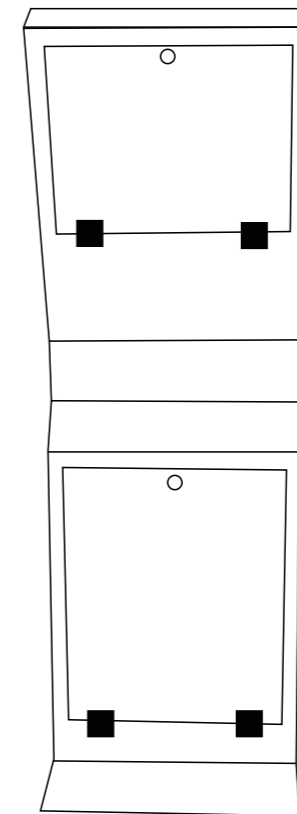
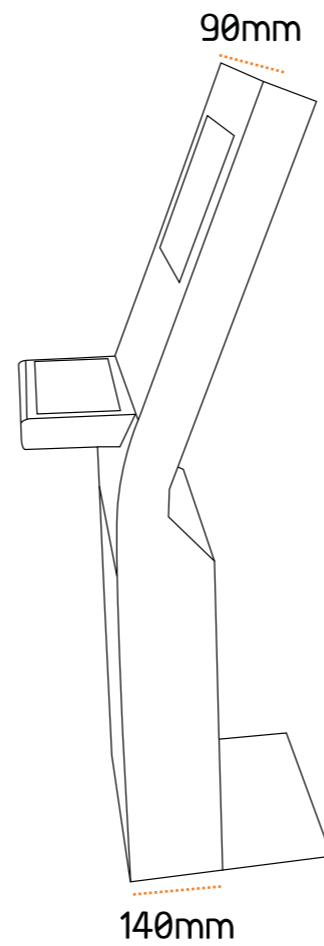
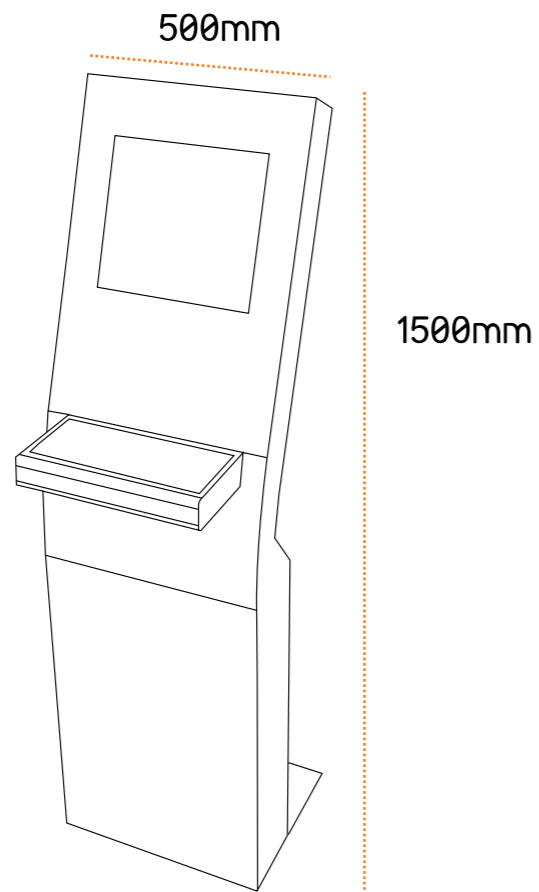
A4 Printer (SlimwXL)

Ykiosk Software



# SlimW

Kiosk measures



# SlimW

Technical data

---

## Dimensions:

- 17" Display (resolution: 1280 x 1024 Pixel)
- H1500 W500 D(90,140)

## Weight:

45 kg

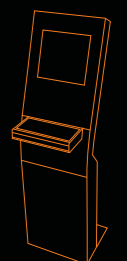
## Configuration:

- High design and functionality
- Stainless steel AISI304 or painted steel (RAL Colors)
- Steel plate of 1,5mm to 2,5mm
- 17" XGA touchscreen display (resistive)
- Integrated speakers

## Optional:

- 19" to 24" Displays
- Atom or Dual Core PC computer
- Microsoft Windows 7 Professional
- Ykiosk software package
- Antivandalic Keyboard
- Touch screen (SAW - antivandalism)
- Wireless networking - WLAN
- Bluetooth functionality
- Webcam

• Other components can be integrated changing kiosk dimensions:  
ticket printer, coin validator, bill validator, card readers, antivandalic  
keyboard, proximity sensor, etc.





info@pointkiosk.si . tel.: +386 (0)5 3305 771 . fax.: +386 (0)5 3305 495

COBIT d.o.o., Industrijska cesta 5, Kromberk - p.p.235 -5001 Nova Gorica