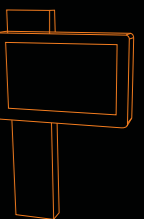


Flag Kiosk



mail: info@pointkiosk.si . tel.: +386 (0)5 3305 771 . fax.: +386 (0)5 3305 495



Flag

Interactivity with dimension

The Flag model was designed specially for outdoor applications.

This model can be manufactured in stainless steel or painted steel (available in all RAL colors) using steel plate of 1,5mm to 2,5mm which ensures the stability and rigidity of the all structure.

This Kiosk is designed specially for multimedia advertising purposes and support large displays (32" to 108").

The two sides of the kiosk are designed so that there is a great versatility.
Optional - 2 large advertising displays, one in each side / 1 large advertising display and 1 interactive display in other side.

The area where the PC will be installed has security locks, general switch and is easily detachable, leaving enough space for the installation and access to a minitower PC.

On the side of the monitor are two speakers and the kiosk has 2 independent systems of ventilation, one for the monitor and other for the PC.

The Flag is normally equipped with a Atom CPU with a 160 GB hard drive, 1 Gb Ram Memory, a 128Mb graphic card and a 10/100 mb ethernet, Windows 7 Starter.

This kiosk can be produced with glass protection (top and 2 laterals) for outdoor environments.

Technical Specifications Flag Kiosk

Dimensions: H2200 x W1200 x D250
Weight: aprox. 180 Kg.



Type

Indoor / Outdoor

Materials

Painted Steel

Stainless Steel

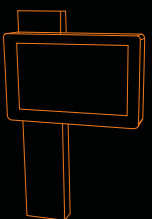
Options

Large Displays 17" to 103"

YdSignage Software

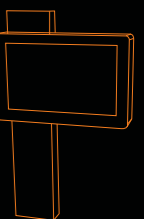
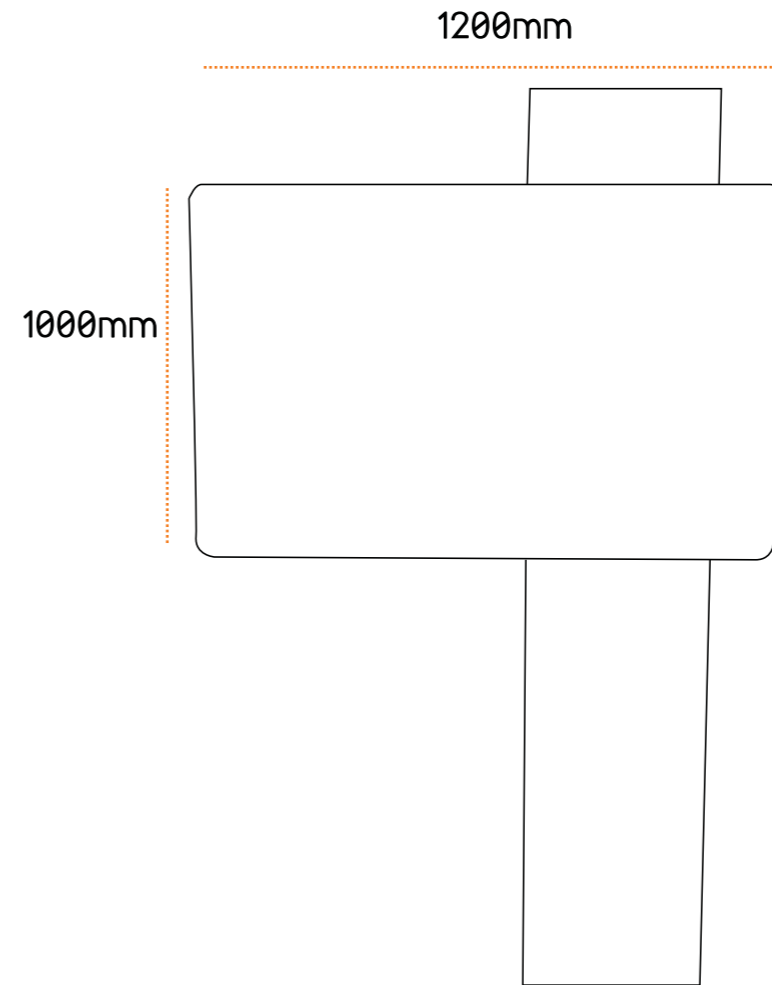
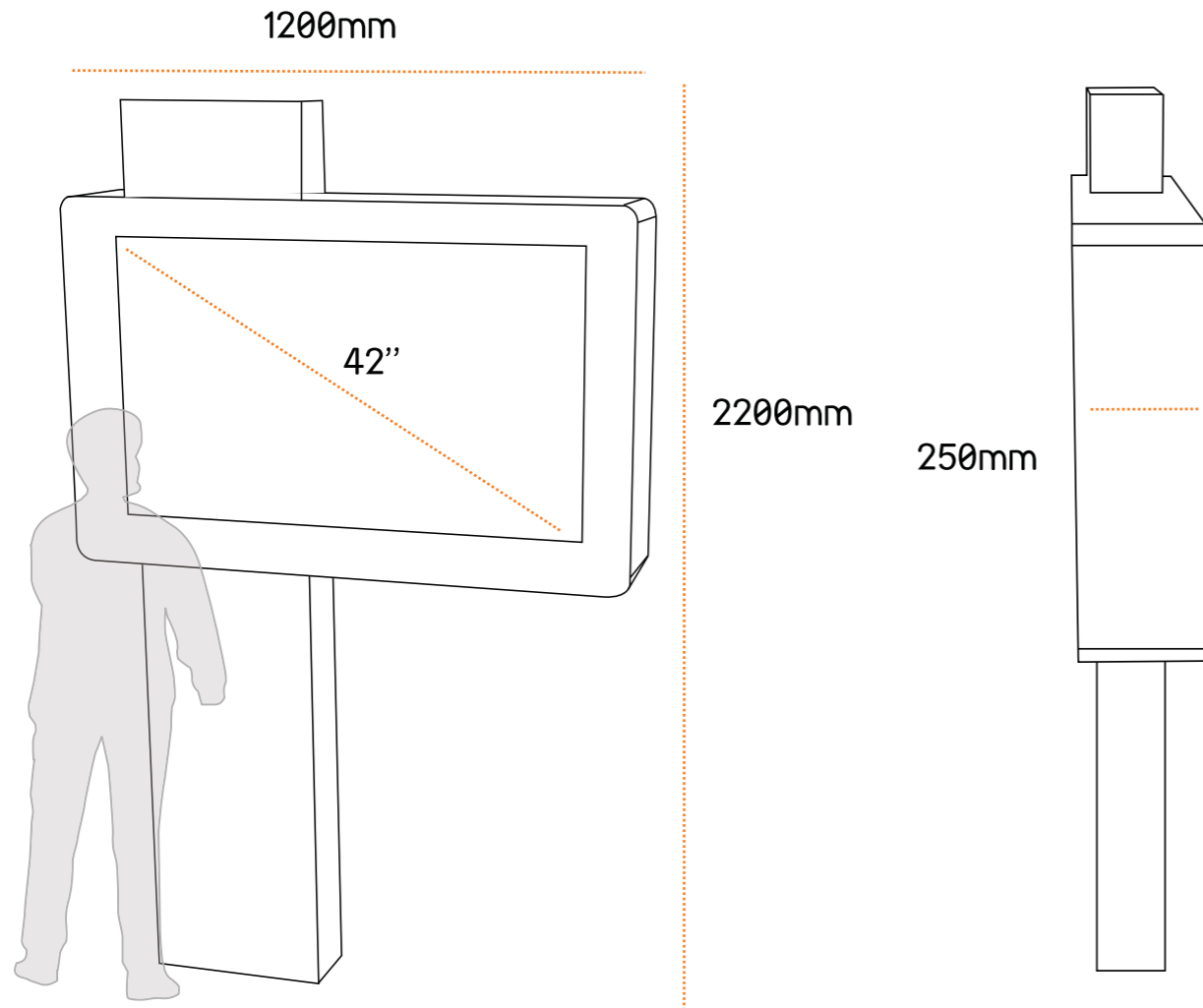
Double Face Displays
(Touchscreen or TFT)

Glass Protection



Flag

Interactivity with dimension



Flag

Technical data

Dimensions:

- 42" Display (resolution: 1920x 1080 Pixel)
- H2200 W1200 D250

Weight:

180 kg

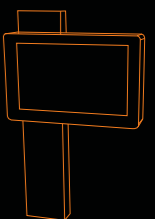
Configuration:

- Interactivity with dimension
- Stainless steel AISI304 or painted steel (RAL Colors)
- Steel plate of 1,5mm to 2,5mm
- 42" display
- Integrated speakers

Optional:

- 46" to 108" display
- Atom or Dual Core PC computer
- Microsoft Windows 7 Professional
- Ykiosk software package
- Touch screen (SAW - antivandalism)
- Wireless networking - WLAN
- Bluetooth functionality
- Webcam
- 2 side displays

• Other components can be integrated changing kiosk dimensions:
ticket printer, coin validator, bill validator, card readers, antivandalic
keyboard, proximity sensor, etc.





info@pointkiosk.si . tel.: +386 (0)5 3305 771 . fax.: +386 (0)5 3305 495

COBIT d.o.o., Industrijska cesta 5, Kromberk - p.p.235 -5001 Nova Gorica