

# Extor II Kiosk



mail: [info@pointkiosk.si](mailto:info@pointkiosk.si) . tel.: +386 (0)5 3305 771 . fax.: +386 (0)5 3305 495

# Extor II

Robust design for outdoor

The Extor II model was designed specially for outdoor applications.

This model can be manufactured in stainless steel or painted steel (available in all RAL colors) using steel plate of 1,5mm to 2,5mm which ensures the stability and rigidity of the all structure.

This Kiosk is designed specially for information and/or multimedia advertising purposes.

The upper part of the Kiosk can have a space for illuminated advertising, protected by a glass/acrylic with the same curvature as the Kiosk and designed for easy replacement of the advertising.

The area where computer is installed and possible peripherals (card readers, coin acceptors, etc.), is protected with access through a security lock and includes a base with three power plugs.

One of the main characteristics of these kiosks is its design that allows integrating a large number of peripheral devices (card readers, tickets printer, coin acceptors, etc.) without having to redesign large pieces which gives this model great versatility and increases the applications field.

The Extor II Model can be equipped with a Atom CPU with a 160 GB hard drive, 1 Gb Ram Memory, a 128Mb graphic card and a 10/100 mb ethernet, and Windows 7 Starter.

This kiosk can be produced with glass protection (top and 2 laterals) for outdoor environments.

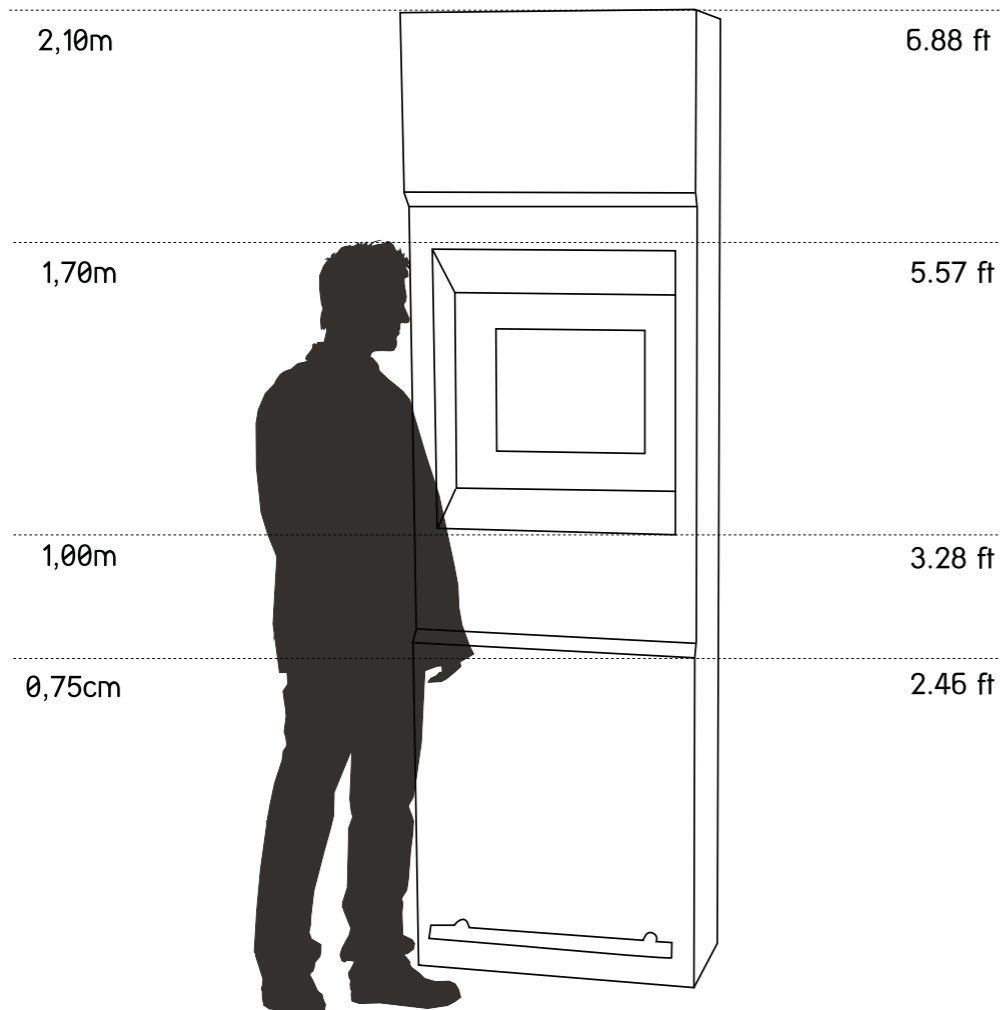
## Technical Specifications Extor II Kiosk

Dimensions: H2100 x W630 x D250  
Weight: aprox. 120 Kg.



# Extor II

Distance comparison and main features



## Type

Indoor

## Materials

Painted Steel

Stainless Steel

## Options

Webcam

Ticket Printer

Card Reader

Antivandalic Keyboard

Bar Code Scanner

Handset Phone

Coin Validator

Bill Validator

Ykiosk Software

Protection Glass

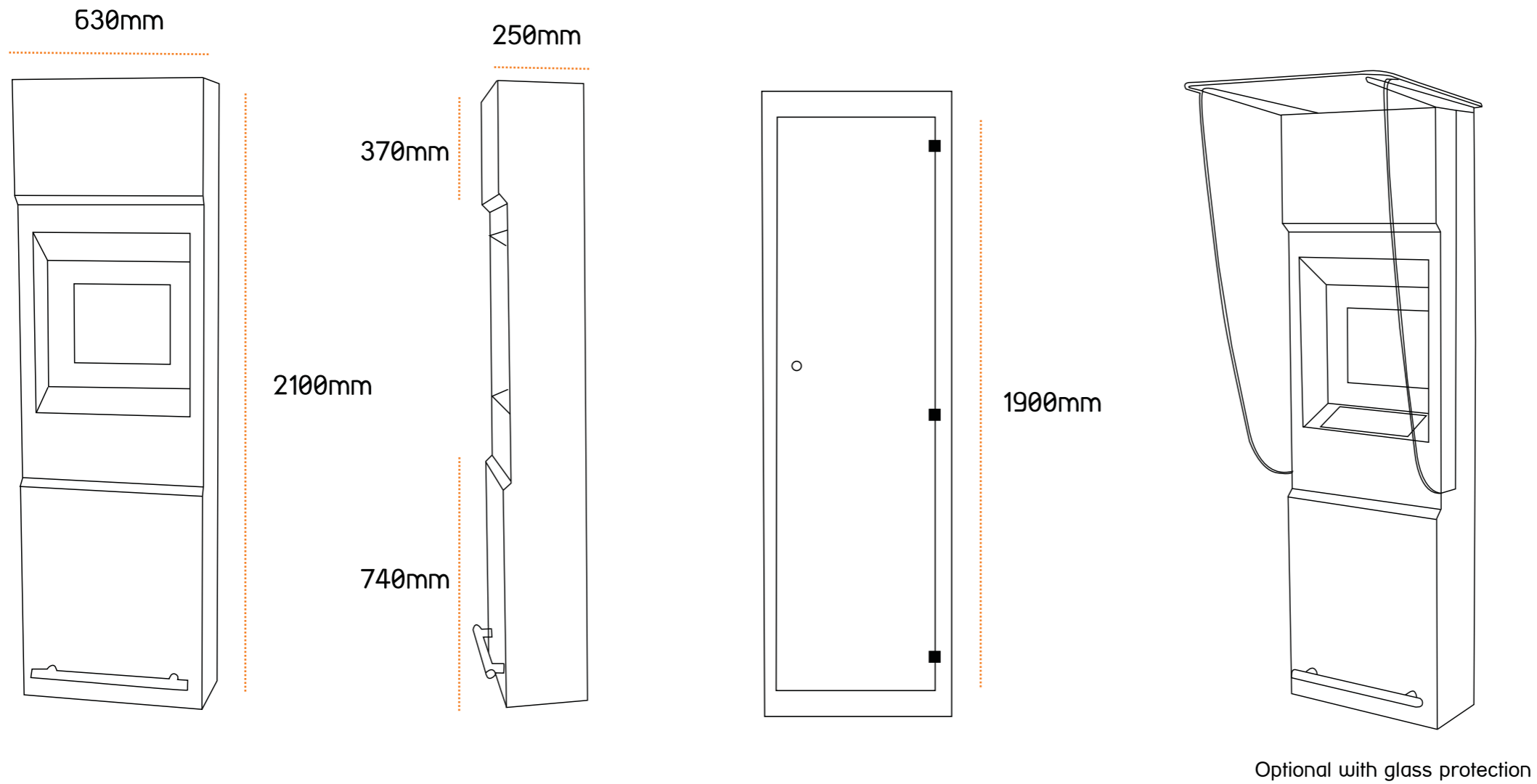
Distance comparison and main features

# Extor II



# Extor II

Kiosk measures



Extor II  
Kiosk measures



# Extor II

Technical data

---

## Dimensions:

- 17" Display (resolution: 1280 x 1024 Pixel)
- H2100 W630 D250

## Weight:

120 kg

## Configuration:

- Robust design for Outdoor
- Stainless steel AISI304 or painted steel (RAL Colors)
- Steel plate of 1,5mm to 2,5mm
- Antivandalic keyboard
- 17" XGA touchscreen display (resistive)
- Integrated speakers

## Optional:

- 19" to 24" Displays
  - Atom or Dual Core PC computer
  - Microsoft Windows 7 Professional
  - Ykiosk software package
  - Touch screen (SAW - antivandalism)
  - Wireless networking - WLAN
  - Bluetooth functionality
  - Webcam
  - Glass Protection (top, 2 laterals)
- Other components can be integrated changing kiosk dimensions: ticket printer, coin validator, bill validator, card readers, antivandalic keyboard, proximity sensor, etc.





info@pointkiosk.si . tel.: +386 (0)5 3305 771 . fax.: +386 (0)5 3305 495

COBIT d.o.o., Industrijska cesta 5, Kromberk - p.p.235 -5001 Nova Gorica