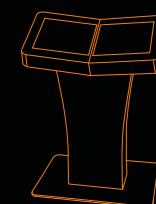


Book Kiosk



mail: info@pointkiosk.si . tel.: +386 (0)5 3305 771 . fax.: +386 (0)5 3305 495



Book

The digital Book

Technical Specifications Book Kiosk

Dimensions: H1100 x W820 x D400
Weight: aprox. 45 Kg.

The Book Kiosk was specifically developed to be used as a digital book of large dimensions.

It is ideal for museums to operate as a virtual guide, where visitors can view all type of information with all the advantage and simplicity. They can also print what they are viewing in the monitor. (optional)

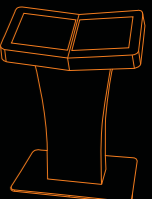
This model can be manufactured in stainless steel or painted steel (available in all RAL colors) using steel plate of 1,5mm to 2,5mm which ensures the stability and rigidity of the all structure.

The Book model is equipped with 2 touch screens, 17 "or 19" that work together.

The area of the kiosk where is located the PC, can also be instaled with a A4 printer for printing the information.

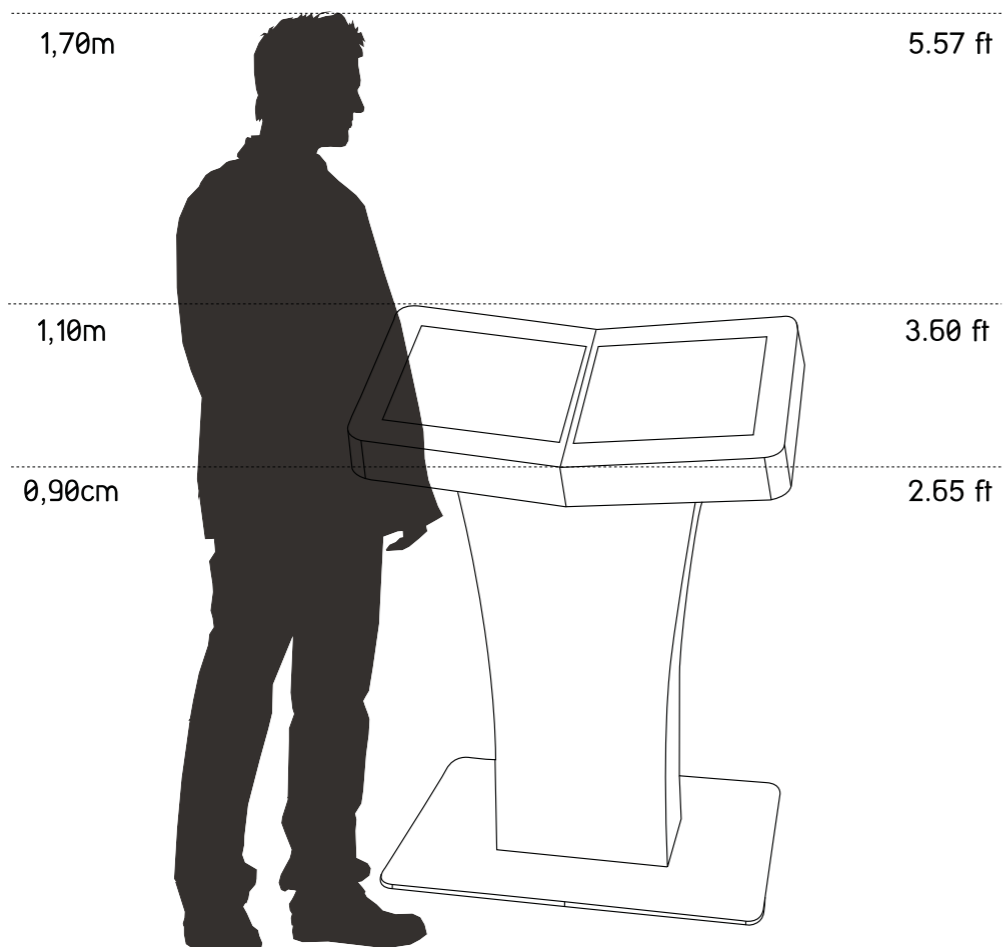
On the side of the monitor are two speakers and the kiosk has 2 independent systems of ventilation, one for the monitor and other for the PC.

The Book Model is normally equipped with a Atom CPU with a 160 GB hard drive, 1 Gb Ram Memory, a 128Mb graphic card and a 10/100 mb ethernet, Windows 7 Starter.



Book

Distance comparison and main features



Type

Indoor

Materials

Painted Steel

Stainless Steel

MDF

Options

Webcam

Ticket Printer

Card Reader

Antivandalic Keyboard

Bar Code Scanner

Handset Phone

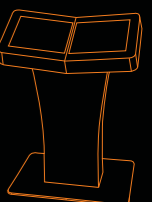
Coin Validator

Bill Validator

Ykiosk Software

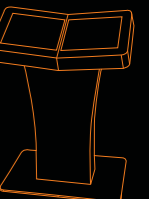
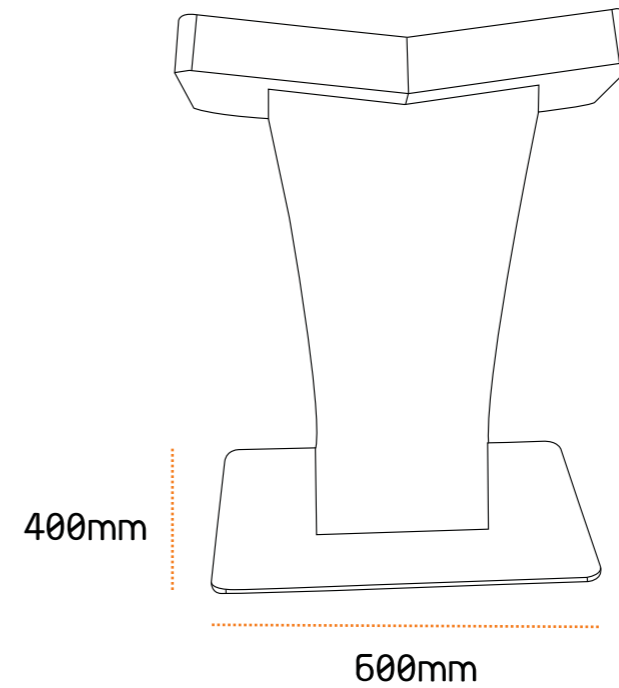
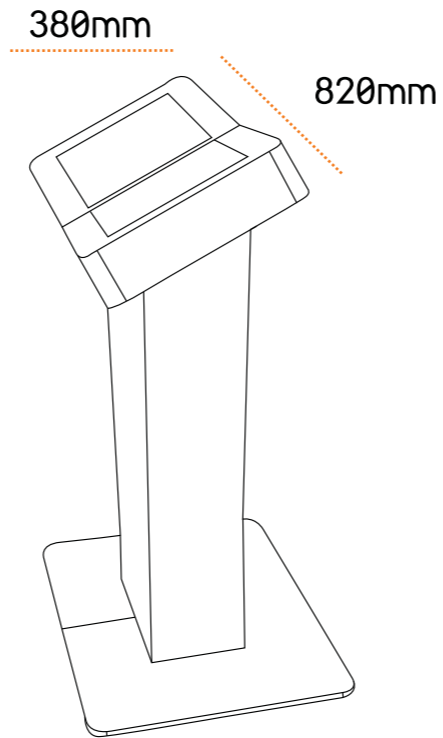
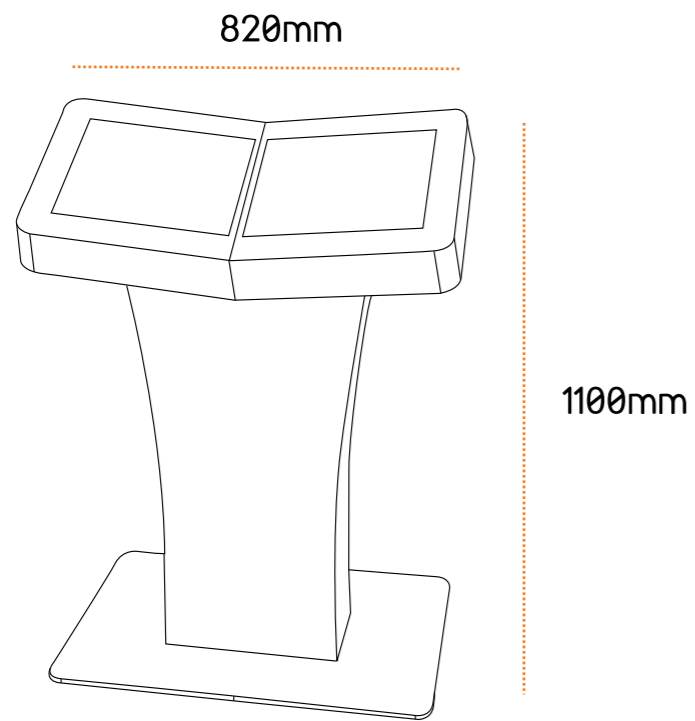
Distance comparison and main features

BOOK



Book

Kiosk measures



Book

Technical data

Dimensions:

- 17" Display (resolution: 1280 x 1024 Pixel)
- H1100 W820 D400

Weight:

45 kg

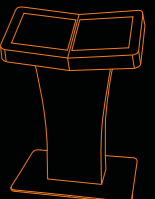
Configuration:

- The Digital Book
- Stainless steel AISI304 or painted steel (RAL Colors)
- Steel plate of 1,5mm to 2,5mm
- 17" XGA touchscreen display (resistive)
- Integrated speakers

Optional:

- 19" to 24" Displays
- Atom or Dual Core PC computer
- Microsoft Windows 7 Professional
- Ykiosk software package
- Touch screen (SAW - antivandalism)
- Wireless networking - WLAN
- Bluetooth functionality
- Webcam

• Other components can be integrated changing kiosk dimensions: ticket printer, coin validator, bill validator, card readers, antivandalic keyboard, proximity sensor, etc.





info@pointkiosk.si . tel.: +386 (0)5 3305 771 . fax.: +386 (0)5 3305 495

COBIT d.o.o., Industrijska cesta 5, Kromberk - p.p.235 -5001 Nova Gorica