

# Xpectro Kiosk

PATENTED - DESIGN MODEL N°. 1650



mail: [info@pointkiosk.si](mailto:info@pointkiosk.si) . tel.: +386 (0)5 3305 771 . fax.: +386 (0)5 3305 495



# Xpectro

The Internet Kiosk

## Technical Specifications Xpectro Kiosk

Dimensions: H1100 x W730 x D450  
Weight: aprox. 80 Kg.

The Xpectro Model was developed specifically for placing in walls, and can be both for outdoor or indoor use.

This model is manufactured in stainless steel AISI304 or painted steel (RAL Colors) using steel plate of 1,5mm to 2,5mm which ensures the stability and rigidity of all structure.

The Kiosks are normally equipped with a tactile 17" SXGA touchscreen display (SAW) (other dimensions are possible) and can be delivered with a anti vandalism keyboard with trackball, card reader, webcam, coin acceptor, tickets printer, handset phone and other peripherals. This model can be equipped with a anti vandalic monitor.

The area where the computer is installed and possible peripherals (card readers, coin acceptors, etc.), is protected with access through a security lock and includes three power plugs.

On top of display are two integrated speakers that fits smoothly in the all structure.

The Xpectro Model can be equipped with a Atom CPU with a 160 GB hard drive, 1 Gb Ram Memory, a 128Mb graphic card and a 10/100 mb ethernet and Windows 7 Starter.

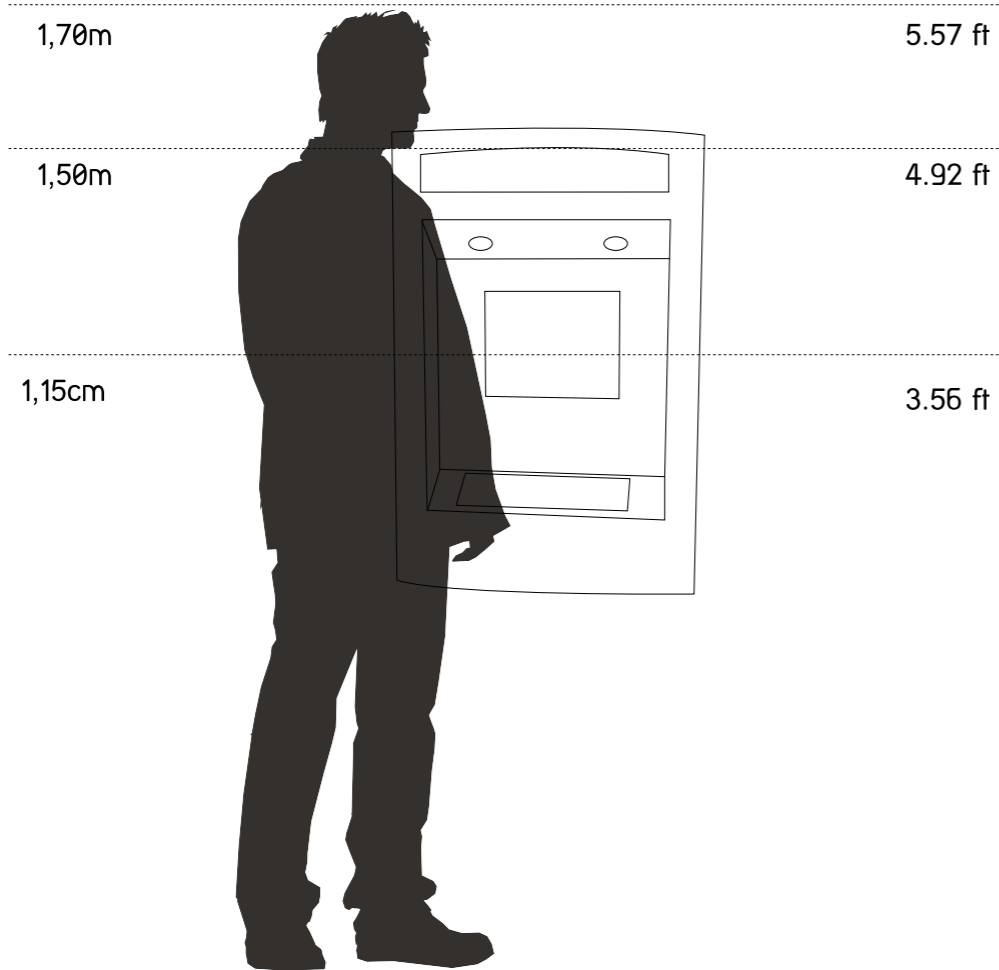


PATENTED - DESIGN MODEL N°. 1650



# Xpectro

The Internet Kiosk



## Type

Indoor / Outdoor

## Materials

Painted Steel

Stainless Steel

## Options

Webcam

Ticket Printer

Card Reader

Antivandalic Keyboard

Bar Code Scanner

Handset Phone

Coin Validator

Bill Validator

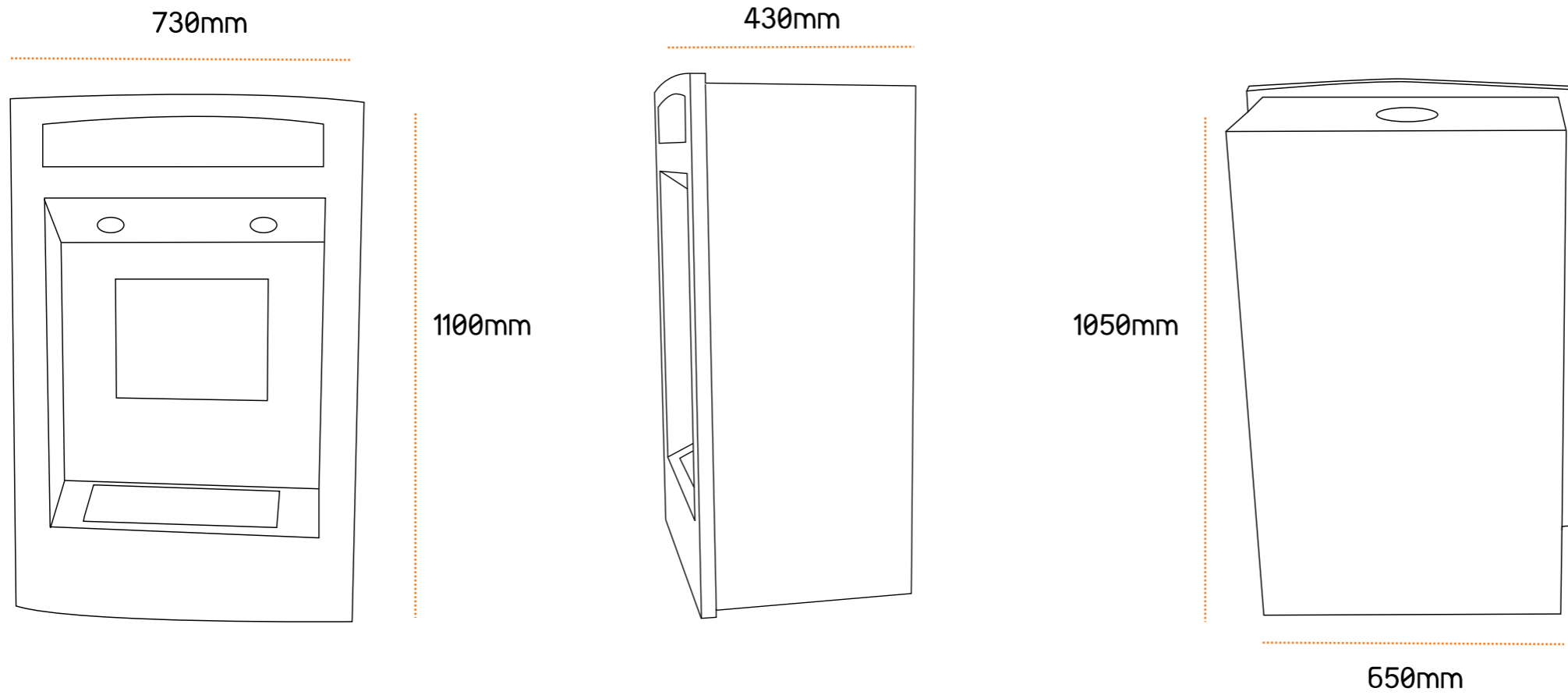
Ykiosk Software

Xpectro  
The Internet Kiosk



# Xpectro

The Internet Kiosk



# Xpectro

Technical data

---

## Dimensions:

- 17" Display (resolution: 1280 x 1024 Pixel)
- H1100, W730, D450

## Weight:

80 kg

## Configuration:

- The Internet Kiosk
- Stainless steel AISI304 or painted steel (RAL Colors)
- Steel plate of 1,5mm to 2,5mm
- 17" SXGA touchscreen display (SAW)
- Integrated speakers

## Optional:

- 19" to 24" Displays
- Atom or Dual Core PC computer
- Microsoft Windows 7 Professional
- Ykiosk software package
- Touchscreen (Infrared, optical, capacitive)
- Wireless networking - WLAN
- Bluetooth functionality
- Webcam

• Other components can be integrated changing kiosk dimensions: ticket printer, coin validator, bill validator, card readers, antivandalic keyboard, proximity sensor, etc.





info@pointkiosk.si . tel.: +386 (0)5 3305 771 . fax.: +386 (0)5 3305 495

COBIT d.o.o., Industrijska cesta 5, Kromberk - p.p.235 -5001 Nova Gorica