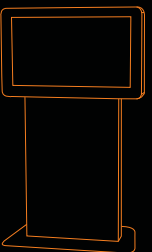


# Reality Kiosk

PATENTED - DESIGN MODEL N°. 1729



mail: [info@pointkiosk.si](mailto:info@pointkiosk.si) . tel.: +386 (0)5 3305 771 . fax.: +386 (0)5 3305 495



# Reality

Outdoor multimedia platform

## Technical Specifications Reality Kiosk

Dimensions: H1850 x W1120 x D250  
Weight: aprox. 120 Kg.

The Reality model was designed specially for outdoor applications.

This model can be manufactured in stainless steel or painted steel (available in all RAL colors) using steel plate of 1,5mm to 2,5mm which ensures the stability and rigidity of the all structure.

This Kiosk is designed specially for multimedia advertising purposes and support large displays (32" to 108").

The two sides of the kiosk are designed so that there is a great versatility.

*Optional - 2 large advertising displays, one in each side / 1 large advertising display and 1 interactive display in other side.*

The area where the PC will be installed has security locks, general switch and is easily detachable, leaving enough space for the installation and access to a minitower PC.

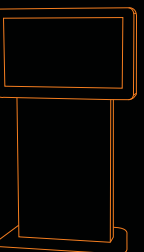
On the side of the monitor are two speakers and the kiosk has 2 independent systems of ventilation, one for the monitor and other for the PC.

The Reality is normally equipped with a Atom CPU with a 160 GB hard drive, 1 Gb Ram Memory, a 128Mb graphic card and a 10/100 mb ethernet, Windows 7 Starter.

This kiosk can be produced with glass protection (top and 2 laterals) for outdoor environments.

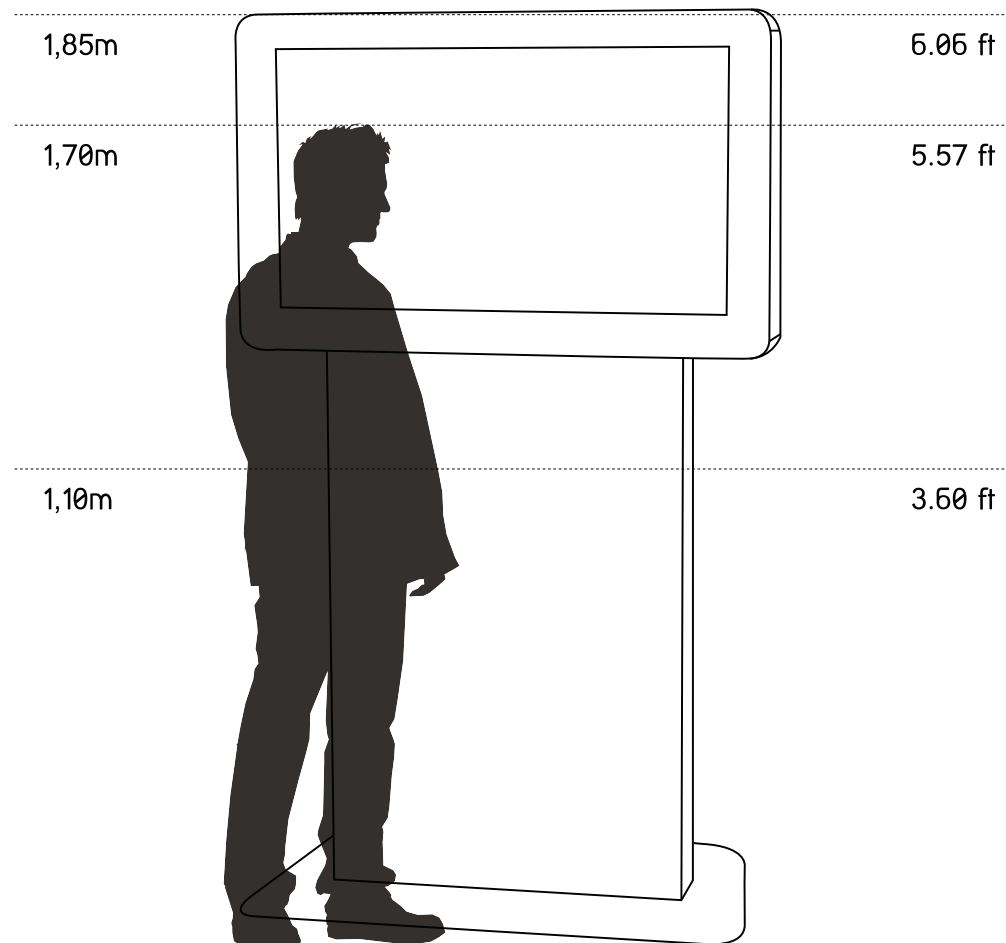


PATENTED - DESIGN MODEL N°. 1729



# Reality

Distance comparison and main features



## Type

- Indoor / Outdoor

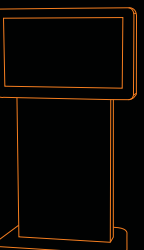
## Materials

- Painted Steel
- Stainless Steel

## Options

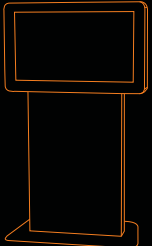
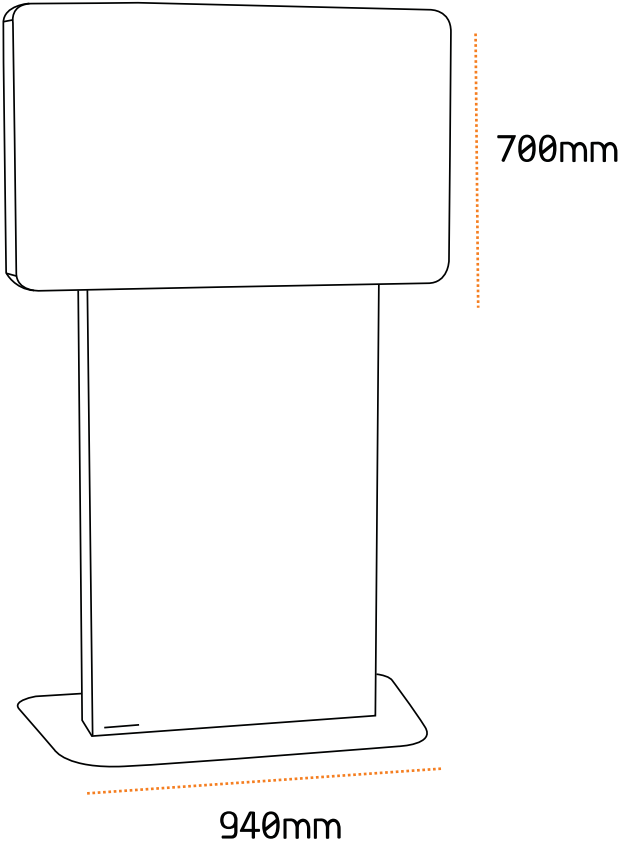
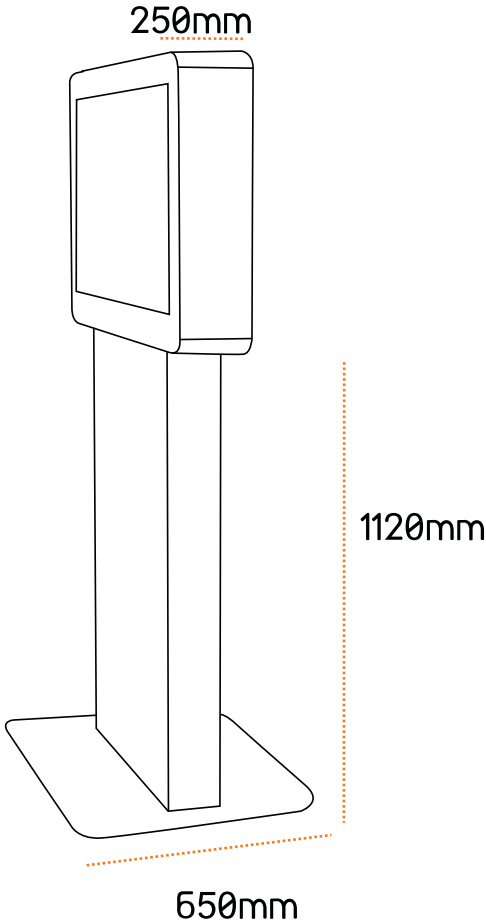
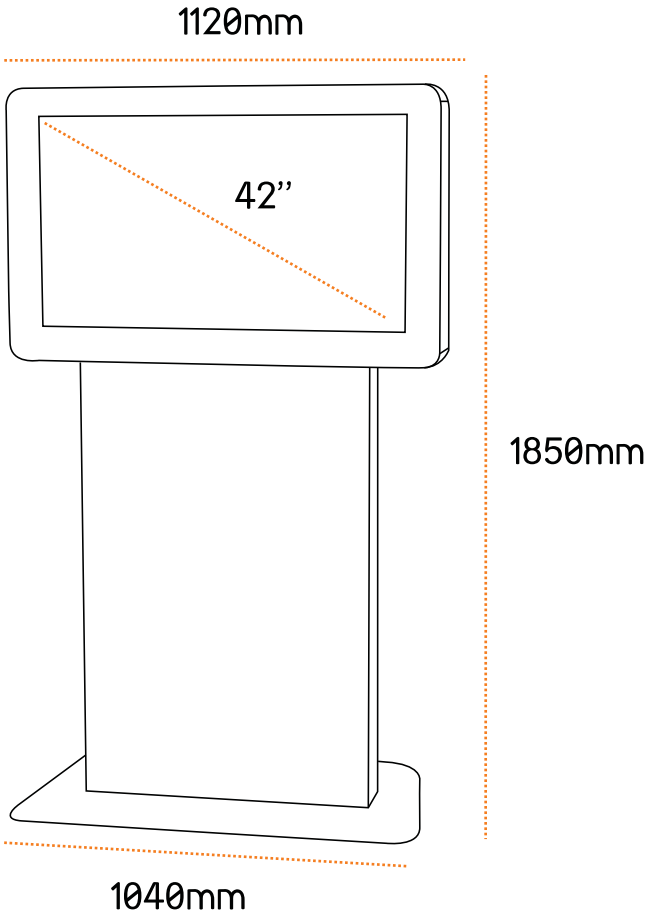
- Large Displays 17" to 103"
- YdSignage Software
- Double Face Displays (Touchscreen or TFT)
- Glass Protection

Reality  
Distance comparison and main features



# Reality

Kiosk measures



# Reality

Technical data

---

## Dimensions:

- 42" Display (resolution: 1920x 1080 Pixel)
- H1850 W1120 D250

## Weight:

120 kg

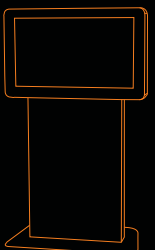
## Configuration:

- Outdoor multimedia platform
- Stainless steel AISI304 or painted steel (RAL Colors)
- Steel plate of 1,5mm to 2,5mm
- 42" display
- Integrated speakers

## Optional:

- 46" to 108" displays
- Atom or Dual Core PC computer
- Microsoft Windows 7 Professional
- Ykiosk software package
- Touchscreen
- Wireless networking - WLAN
- Bluetooth functionality
- Webcam
- 2 side displays

• Other components can be integrated changing kiosk dimensions: ticket printer, coin validator, bill validator, card readers, antivandalic keyboard, proximity sensor, etc.





info@pointkiosk.si . tel.: +386 (0)5 3305 771 . fax.: +386 (0)5 3305 495

COBIT d.o.o., Industrijska cesta 5, Kromberk - p.p.235 -5001 Nova Gorica